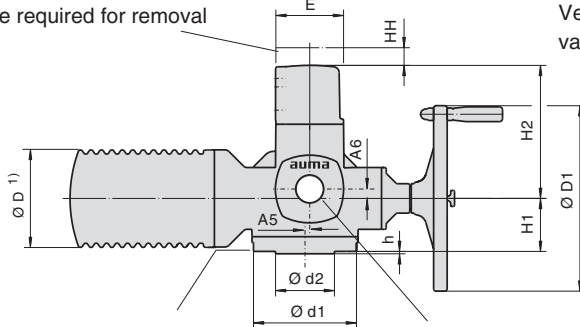


With AUMA plug/socket connector and 3-phase AC motor

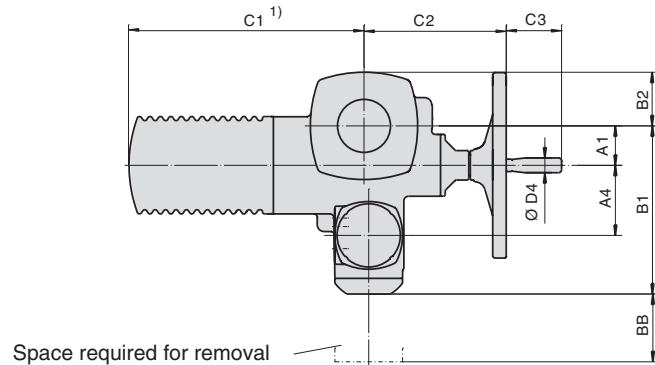
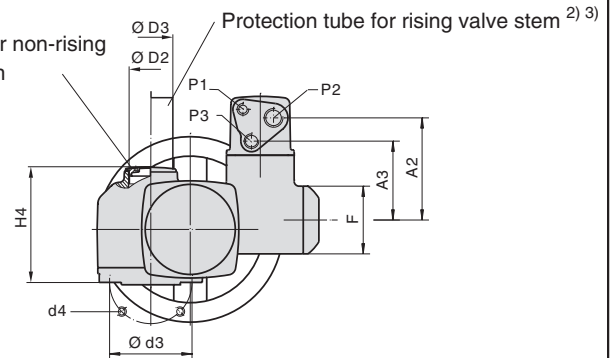
Space required for removal



Base of SA without output drive A

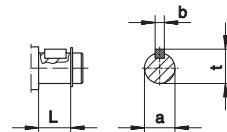
Indicator glass for mech. position indicator²⁾

Version for non-rising valve stem



Space required for removal

Output drives according to EN ISO 5210, DIN 3210, DIN 3338, dimensions see next page

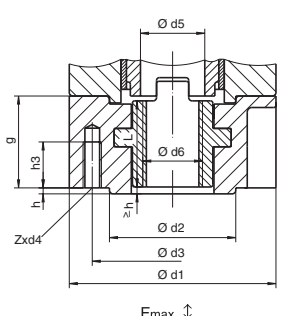
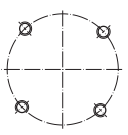
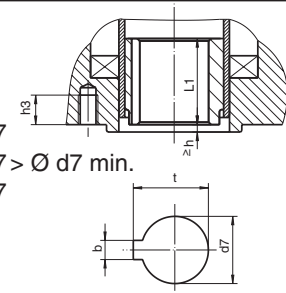
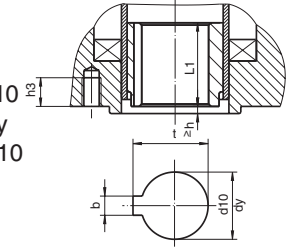
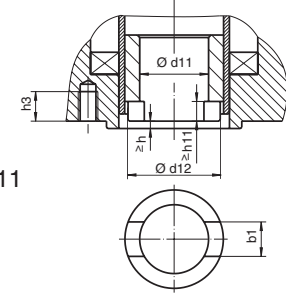
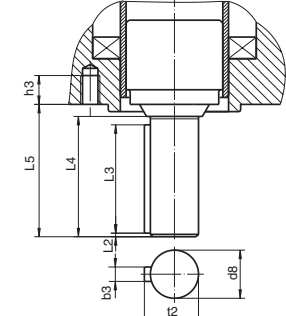


Handwheel shaft

- 1) Exact dimensions according to motor used
- 2) Only if ordered additionally
- 3) In steps of 100 mm length each
- 4) Standard, other threads on request

Dimensions	Multi-turn actuator type					
	SA 07.2 SAR 07.2	SA 07.6 SAR 07.6	SA 10.2 SAR 10.2	SA 14.2 SAR 14.2	SA 14.6 SAR 14.6	SA 16.2 SAR 16.2
EN ISO 5210 (DIN 3210)	F07 (F10/G0)	F07 (F10/G0)	F10 (G0)	F14 (G1/2)	F14 (G1/2)	F16 (G3)
A1	40	40	50	67	67	80
A2	174	174	174	174	174	174
A3	134	134	134	134	134	134
A4	103	103	103	119	119	123.5
A5	–	–	–	8	8	15
A6	–	–	–	16	16	20
B1	238	238	248	286	286	303
B2	62	62	65	91	91	117
C 1 ¹⁾	265	265	283	389	389	430
C 2	186	186	191	242	245	271
C 3	63	63	63	94	94	94
Ø D	101	101	121	153	153	190
Ø D 1	160	160	200	315	400	500
Ø D 2	G 1 1/4 "	G 1 1/4 "	G 2 "	G 2 1/2 "	G 2 1/2 "	G 3 "
Ø D 3	42 x 3.3	42 x 3.3	60 x 3.7	76 x 3.7	76 x 3.7	89 x 4.1
Ø D 4	20	20	20	25	25	25
E	115	115	115	115	115	115
F	115	115	115	115	115	115
H 1	78	78	80	90	90	110
H 2	210	210	210	226	226	230
H 4	160	160	170	196	196	235
L	20	20	24	38,8	45,8	45,8
P 1 ⁴⁾	M20 x 1.5	M20 x 1.5	M20 x 1.5	M20 x 1.5	M20 x 1.5	M20 x 1.5
P 2 ⁴⁾	M32 x 1.5	M32 x 1.5	M32 x 1.5	M32 x 1.5	M32 x 1.5	M32 x 1.5
P 3 ⁴⁾	M25 x 1.5	M25 x 1.5	M25 x 1.5	M25 x 1.5	M25 x 1.5	M25 x 1.5
BB min.	180	180	180	180	180	180
HH min.	30	30	30	30	30	30
Ø a	20 d7	20 d7	20 d7	30 d7	30 d7	30 d7
b	6	6	6	8	8	8
Ø d 1	90 (125)	90 (125)	125	175	175	210
Ø d 2	55 (70/60)	55 (70/60)	70 (60)	100	100	130
Ø d 3	70 (102)	70 (102)	102	140	140	165
d 4	4 x M8 (4 x M10)	4 x M8 (4 x M10)	4 x M10	4 x M16	4 x M16	4 x M20
h	3	3	3	4	4	5
t	22.5	22.5	22.5	33	33	33

We reserve the right to alter data according to improvements made. Previous documents become invalid with the issue of this document.

Output drives	Dimensions		AUMA multi-turn actuator type										
			SA 07.2/SA 07.6			SA 10.2		SA 14.2/SA14.6		SA 16.2			
<p>Stem nut</p> <p>Type EN ISO 5210 A DIN 3210 A</p>  <p>Arrangement of holes d4</p> 	EN ISO 5210	DIN 3210	F07	F10	G0	F10	G0	F14	G1/2	F16	G3		
			F max. kN	40	40	40	70	70	160		250		
			Ø d1	90	125	125	125	125	175		210		
			Ø d2	55	70	60	70	60	100		130		
			Ø d3	70	102	102	102	102	140		165		
			d4	M8	M10	M10	M10	M10	M16		M20		
			Ø d5	34	35	35	42	42	60		80		
			Ø d6 max.	26	34	34	40	40	57		75		
			g	40	50	50	50	50	65		80		
			h	3	3	3	3	3	4		5		
			h3	12	15	15	15	15	25		35		
			L	37	47	47	47	47	60		75		
			Z	4	4	4	4	4	4		4		
			Weight	kg	1.1	2.8	2.8	2.8	2.8	6.8		11.7	
	<p>Plug sleeve³⁾</p> <p>Type EN ISO 5210 B 1 = Ø d7 EN ISO 5210 B 2 < Ø d7 > Ø d7 min. DIN 3210 B = Ø d7</p>  <p>Missing dimensions refer to output drive A</p>			b JS 9 ¹⁾	8	12	12	12	12	18		22	
			Ø d7 H9	28	42	42	42	42	60		80		
			Ø d7 min.	20	30	30	30	30	45		60		
			h3	12	13	13	15	15	25		30		
			L1	35	45	45	45	45	65		80		
			t ¹⁾	31.3	45.3	45.3	45.3	45.3	64.4		85.4		
			Weight	kg	0.1	0.1	0.1	0.4	0.4	1.1		2.4	
<p>Bore with keyway³⁾</p> <p>Type EN ISO 5210 B 3 = Ø d10 EN ISO 5210 B 4 ≤ Ø dy DIN 3210 E = Ø d10</p>  <p>Missing dimensions refer to output drive A</p>			b JS 9 ¹⁾	5	6	6	6	6	8		12		
			Ø d10 H9	16	20	20	20	20	30		40		
			Ø dy max.	20	30	30	30	30	45		60		
			h3	12	13	13	15	15	25		30		
			L1	35	45	45	45	45	65		80		
			t ¹⁾	18.3	22.8	22.8	22.8	22.8	33.3		43.3		
			Weight	kg	0.1	0.1	0.1	0.4	0.4	1.1		2.4	
<p>Dog coupling³⁾</p> <p>Type DIN 3338 C = Ø d11</p>  <p>Missing dimensions refer to output drive A</p>			b1 H11	14*	14	14	14	14	20		24		
			Ø d11 H11	28*	28	28	28	28	38		47		
			Ø d11 min.	–	20	20	20	20	30		40		
			Ø d11 max. ²⁾	–	42	42	42	42	60		80		
			Ø d12	36.8	51.8	51.8	51.8	51.8	73.8		98		
			h3	12	13	13	15	15	25		30		
			h11	7*	7	7	7	7	8		10		
<p>Shaft coupling</p> <p>Type DIN 3210 D</p>  <p>Missing dimensions refer to output drive A</p>			Ø d8 g6	–	–	20	–	20	–	30	–	40	
			b3 h9	–	–	6	–	6	–	8	–	12	
			h3	–	–	13	–	15	–	25	–	30	
			L2	–	–	1.5	–	1.5	–	2	–	3	
			L3	–	–	45	–	45	–	63	–	80	
			L4	–	–	50	–	50	–	70	–	90	
			L5	–	–	55	–	55	–	76	–	97	
			t2	–	–	22.5	–	22.5	–	33	–	43	
			Weight	kg	–	–	0.4	–	0.7	–	2	–	4.3

¹⁾ Dimensions depend on Ø d7 / Ø d10, refer to DIN 6885-1

²⁾ For rising valve stem Ø d11 max. = Ø d5 of type A

³⁾ Weight included in actuator

* Dimensions outside DIN 3338

We reserve the right to alter data according to improvements made. Previous documents become invalid with the issue of this document.